

Location: _____

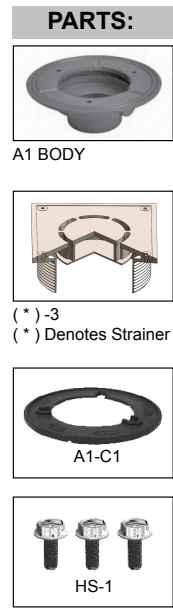
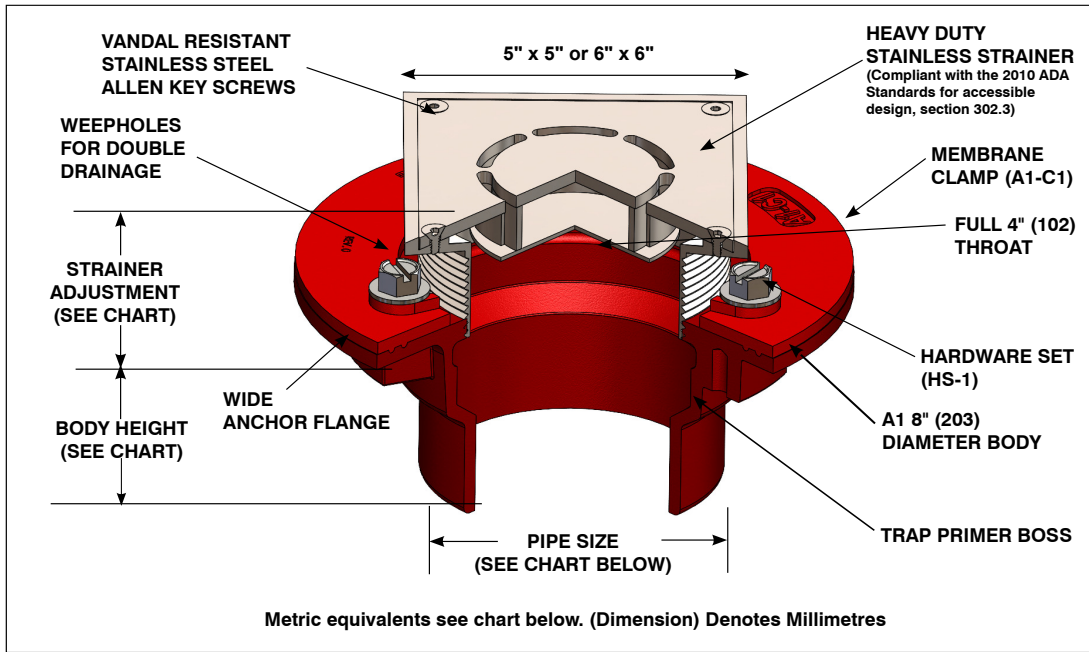


F1000-C-S-LR

FLOOR DRAIN WITH HEAVY DUTY SQUARE STAINLESS STEEL LIGATURE RESISTANT STRAINER

Specification: MIFAB® Series F1000-C-S-LR(*)-3 (* specify strainer size) lacquered cast iron floor drain with anchor flange, weepholes, membrane clamp, and ligature resistant, heavy duty, square stainless steel strainer.

Function: Used in security areas that have water proof membrane application. Unique strainer design limits the ability for picking, tying-off and hiding contraband. Square, adjustable stainless steel strainer is used for all types of finished floors.



F1000-C-S-LR Series meets ANSI-ASME floor drain standard A112.6.3-2001

STRAINER SIZE	STRAINER ADJUSTMENT		ANSI/ASME RATING		PIPE SIZE	BODY HEIGHT				
	MIN	MAX	FREE AREA	LOAD RATING LBS. S.S. (-3)		NO HUB (STANDARD)	PUSH ON (P)	THREADED (T)	INSIDE CAULK (X)	PVC/ABS (-30)/(-31)
5"x5" (127)	5/8" (15)	1 9/16" (40)	1.80 in ²	5000-7499	2" (51)	3" (76)	3 3/8" (86)	2 1/4" (57)	3 3/4" (95)	2 15/16" (75)
6"x6" (152)	7/8" (22)	1 9/16" (40)	2.50 in ²	5000-7499	3" (76)	3" (76)	3 3/8" (86)	2 5/8" (67)	3 3/4" (95)	3 3/4" (95)
					4" (102)	3" (76)	3 3/8" (86)	2 5/8" (67)	3 3/4" (95)	3 3/4" (95)
					5" (127)	3" (76)	--	2 5/8" (67)	3 3/4" (95)	--
					6" (152)	3 1/4" (83)	6 1/2" (165)	--	--	--

SUFFIX	OPTIONAL VARIATIONS
-5	Sediment bucket
-6	Security screws (T-20 Torx & pin)
-7	1/2" trap seal primer connection
-8	Backwater valve (2", 3", 4")
-11	Acid resistant epoxy coated body
-13	Galvanized body
-15	Extension
-21	Secondary flat stainless steel strainer (2", 3", 4")
-28	Stainless steel body (Type 304)
-30	PVC socket connection body
-31	ABS socket connection body
-34	Closure plug
-40	Underdeck clamp
-41	Sump receiver
-90	Threaded side outlet (2", 3", 4")

-90NH	No hub side outlet (2", 3", 4")
-95	Client logo
-BA	Minimum 51% material cost made in the USA
-C2	High rough-in membrane clamp (min. 1 9/16" (40))
-F4	4" Round funnel
-F6	6" Round funnel
-G	Oval 4" x 9" funnel
-J	6" x 3" x 1" funnel
-MG	MI-GARD Floor Drain Trap Sealer (2", 3" or 4")
P	Push on outlet
-PA	Pennsylvania Steel Act compliant product
T	Threaded outlet (2", 3", 4")
X	Inside caulk outlet
-Z	Extended wide elastomeric flange

CALIFORNIA PROPOSITION 65 WARNING. This product contains chemicals known to the State of California to cause cancer and birth defects or other reproductive harm.

Job Name: _____ Page No: _____
 Section No: _____ Contractor: _____
 Schedule No: _____ Purchase Order No: _____